

TEAC

SERVICE MANUAL

PD-H570

Compact Disc Player

NOTES

- PC boards shown are viewed from parts side.
- The parts with no reference number or no parts number in the exploded views are not supplied.
- As regards the resistors and capacitors, refer to the circuit diagrams contained in this manual.
- ⚠ Parts marked with this sign are safety critical components. They must be replaced with identical components- refer to the appropriate parts list and ensure exact replacement.

CONTENTS

SPECIFICATIONS	2
IC PIN FUNCTION	3
WIRING DIAGRAM	13
BLOCK DIAGRAM	15
SCHEMATIC DIAGRAM	17
PRINTED CIRCUIT BOARDS	19
EXPLODED VIEW	21
ELECTRICAL PARTS LIST	30

Specifications

Laser System : 3-beam laser
Digital Filter : 8-times oversampling
Frequency Response : 20-20,000Hz(± 2 dB)
Error Correction Method :
Cross Interleave Reed-Solomon code
S/N Ratio : More than 96dB
(IHF "A" Filter used)
T.H.D : Less than 0.015% (1kHz)
Output Voltage : 2V RMS
Power requirements : 230V, 50Hz

Power Consumption : 9.6W
Dimensions (W×H×D) : 285×131×327mm
Weight : 5.2kg

Standard accessories

Remote control cord1
Signal cord1

* Improvements may result in specification or feature changes without notice.

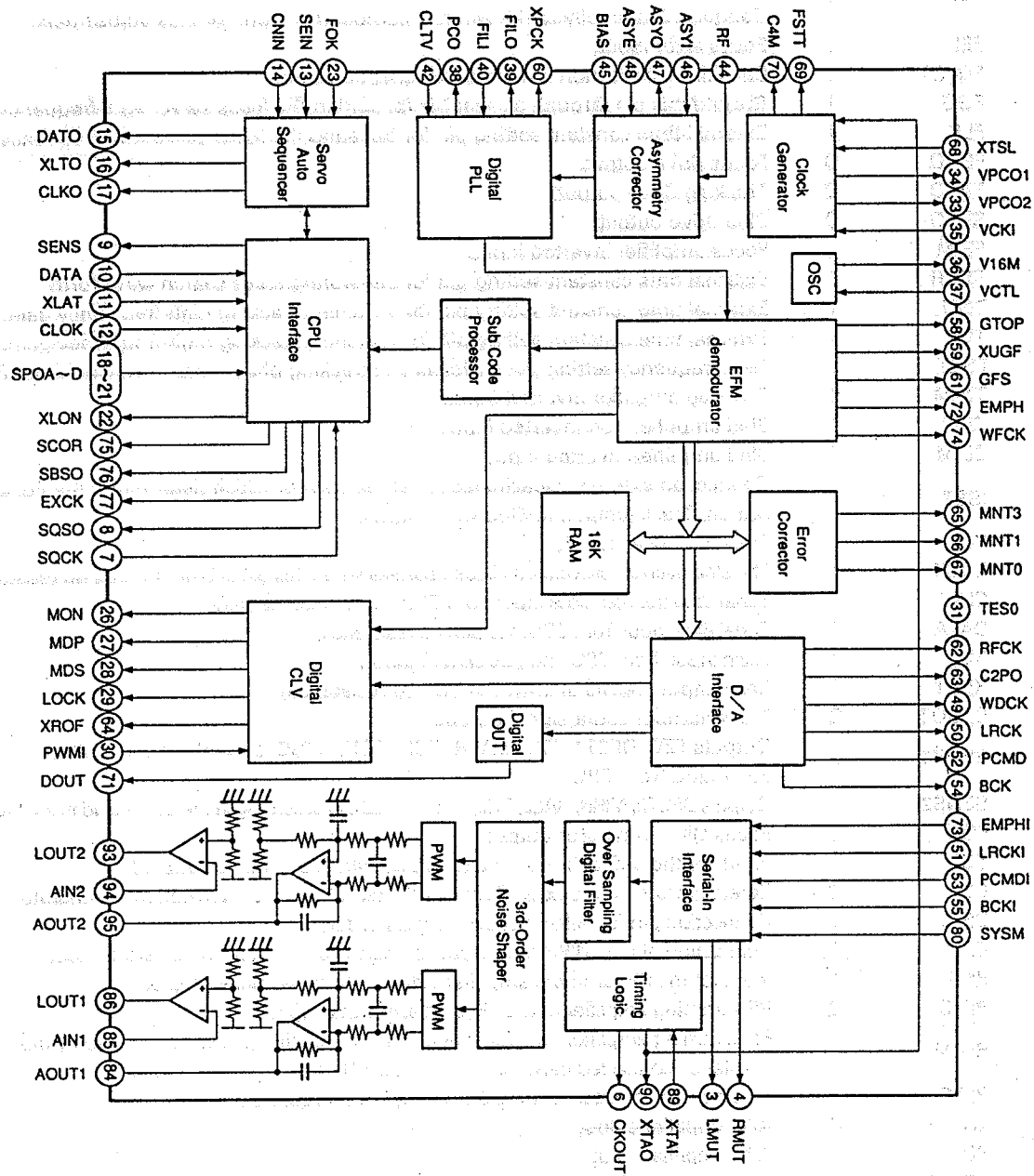
IC PIN FUNCTION

CXD2529Q (Digital Signal Processor)

No.	SYMBOL	I/O		DESCRIPTION
1	VDD	—	—	Power supply (+5V).
2	VSS	—	—	GND.
3	LMUT	0	1, 0	Left-channel zero detection flag.
4	RMUT	0	1, 0	Right-channel zero detection flag.
5	TES2	0	1, 0	TEST output pin; normally open.
6	CKOUT	0	1, 0	Master clock frequency-divider output. Selects and outputs XTAI×1, × 1/2, × 1/4 or low only.
7	SQCK	I		SQSO readout clock input.
8	SQSO	0	1, 0	Sub Q 80-bit serial output.
9	SENS	0	1, 0	SENS output to CPU.
10	DATA	I		Serial data input from CPU.
11	XLAT	I		Latch input from CPU. Serial data is latched at the falling edge.
12	CLOK	I		Serial data transfer clock input from CPU.
13	SEIN	I		SENS input from SSP.
14	CNIN	I		Track jump count signal input.
15	DATO	0	1, 0	Serial data output to SSP.
16	XLTO	0	1, 0	Serial data latch output to SSP. Latched at the falling edge.
17	CLKO	0	1, 0	Serial data transfer clock output to SSP.
18	SPOA	I		Microcomputer extended interface (input A).
19	SPOB	I		Microcomputer extended interface (input B).
20	SPOC	I		Microcomputer extended interface (input C).
21	SPOD	I		Microcomputer extended interface (input D).
22	XLON	0	1, 0	Microcomputer extended interface (output).
23	FOK	I		Focus OK input. Used for SENS output and the servo auto sequencer.
24	VDD	—	—	Power supply (+5V).
25	VSS	—	—	GND.
26	MON	0	1, 0	Spindle motor on/off control output.
27	MDP	0	1, Z, 0	Spindle motor servo control.
28	MDS	0	1, Z, 0	Spindle motor servo control.
29	LOCK	0	1, 0	GFS is sampled at 460Hz; when GFS is high, this pin outputs a high signal. If GFS is low eight consecutive samples, this pin outputs low.
30	PWMI	I		Spindle motor external control input.
31	TES0	I		TEST pin; normally GND.
32	TES1	I		TEST pin; normally GND.
33	VPCO2	0	1, Z, 0	Wide-band EFM PLL charge pump output. Turned on/off by FCSW of address E.
34	VPCO1	0	1, Z, 0	Charge pump output for wide-band EFM PLL.
35	VCKI	I		VCO2 oscillation input for the wide-band EFM PLL.
36	V16M	0	1, 0	VCO2 oscillation output for the wide-band EFM PLL.
37	VCTL	I		VCO2 control voltage input for the wide- band EFM PLL.
38	PCO	0	1, Z, 0	Master PLL charge pump output.
39	FILO	I	Analog	Master PLL (slave=digital PLL) filter output.
40	FILI	I		Master PLL filter input.
41	AVSS	—	—	Analog GND.
42	CLTV	I		Master VCO control voltage input.
43	AVDD	—	—	Analog power supply (+5V)
44	RF	I		EFM signal input.
45	BIAS	I		Constant current input of the asymmetry circuit.
46	ASYI	I		Asymmetry comparator voltage input.
47	ASYO	0	1, 0	EFM full-swing output (low = VSS, high = VDD)
48	ASYE	I		Low: asymmetry circuit off; high: asymmetry circuit on.
49	WDCK	0	1, 0	D/A interface. Word clock f = 2fs
50	LRCK	0	1, 0	D/A interface. LR clock output f = fs
51	LRCKI	I		LR clock input.

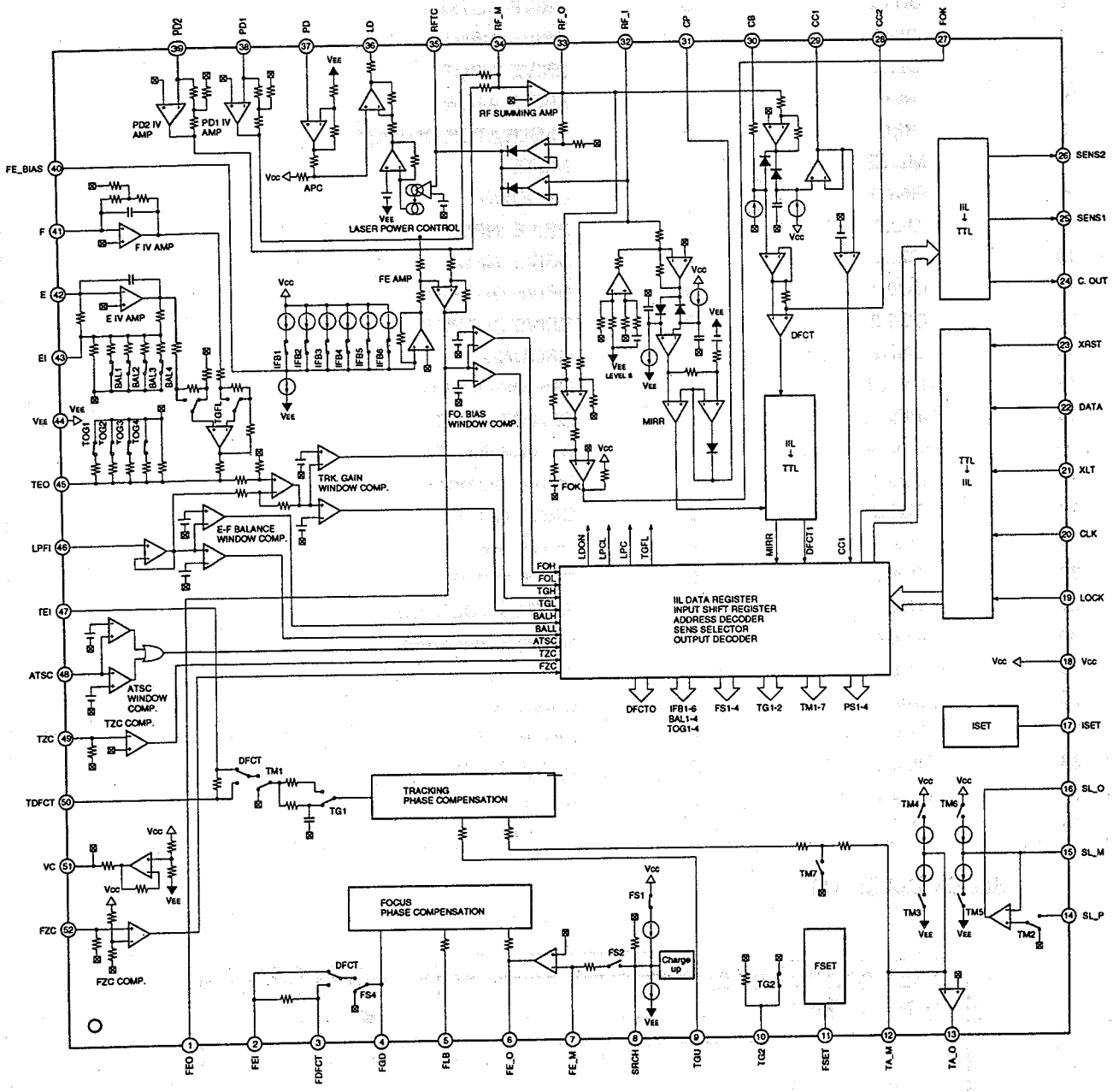
No.	SYMBOL	I/O		DESCRIPTION
52	PCMD	O	1, 0	D/A interface. Serial data output (two's complement, MSB first).
53	PCMDI	I		D/A interface. Serial data input (two's complement, MSB first).
54	BCK	O	1, 0	D/A interface. Bit clock output.
55	BCKI	I		D/A interface. Bit clock input.
56	Vss	—	—	GND.
57	VDD	—	—	Power supply (+5V).
58	GTOP	O	1, 0	GTOP output.
59	XUGF	O	1, 0	XUGF output.
60	XPCK	O	1, 0	XPLCK output.
61	GFS	O	1, 0	GFS output.
62	RFCK	O	1, 0	RFCK output.
63	C2PO	O	1, 0	C2PO output.
64	XROF	O	1, 0	XRAOF output.
65	MNT3	O	1, 0	MNT3 output.
66	MNT1	O	1, 0	MNT1 output.
67	MNT0	O	1, 0	MNT0 output.
68	XTSL	I		Crystal selector input. Low: 16.9344MHz; high: 33.8688MHz.
69	FSTT	O	1, 0	2/3 frequency-divider output for Pins 89 and 90.
70	C4M	O	1, 0	4.2336MHz output. 1/4 frequency-divided VCKI output in CAV-W mode.
71	DOUT	O	1, 0	Digital Out output.
72	EMPH	O	1, 0	Outputs a high signal when the playback disc has emphasis, and a low signal when there is no emphasis.
73	EMPHI	I		Inputs a high signal when de-emphasis is on, and a low signal when de-emphasis is off.
74	WFCK	O	1, 0	WFCK output.
75	SCOR	O	1, 0	Outputs a high signal when either subcode sync S0 or S1 is detected.
76	SBSO	O	1, 0	Sub P to W serial output.
77	EXCK	I		SBSO readout clock input.
78	Vss	—	—	GND.
79	VDD	—	—	Power supply (+5V).
80	SYSM	I		Mute input. Active when high.
81	NC			
82	AVss	—	—	Analog GND.
83	AVDD	—	—	Analog power supply (+5V).
84	AOUT1	O		Left-channel analog output.
85	AIN1	I		Left-channel operational amplifier input.
86	LOUT1	O		Left-channel LINE output.
87	AVss	—	—	Analog GND.
88	XVDD			Power supply for master clock.
89	XTAI	I		Crystal oscillation circuit input. Input the external master clock via this pin.
90	XTAO	O		Crystal oscillation circuit output.
91	XVss			GND for master clock.
92	AVss	—	—	Analog GND.
93	LOUT2	O		Right-channel LINE output.
94	AIN2	I		Right-channel operational amplifier input.
95	AOUT2	O		Right-channel analog output.
96	AVDD	—	—	Analog power supply (+5V).
97	AVss	—	—	Analog GND.
98	NC			
99	NC			
100	XRST	I		System reset. Reset when low.

- Notes)**
- PCMD is an MSB first, two's complement output.
 - GTOP is used to monitor the frame sync protection status. (High: sync protection window released)
 - XUGF is the negative pulse for the frame sync derived from the EFM signal. It is the signal before sync protection.
 - XPLCK is the inverse of the EFM PLL clock. The PLL is designed so that the falling edge of XPLCK and the EFM signal transition point coincide.
 - GFS goes high when the frame sync and the insertion protection timing match.
 - RFCK is derived with the crystal accuracy. This signal has a cycle of 136 μ s (during normal-speed).
 - C2PO represents the data error status.
 - XRAOF is generated when the 16K RAM exceeds the $\pm 4F$ jitter margin.



CXA1992BR (RF AMP+Servo signal processor)

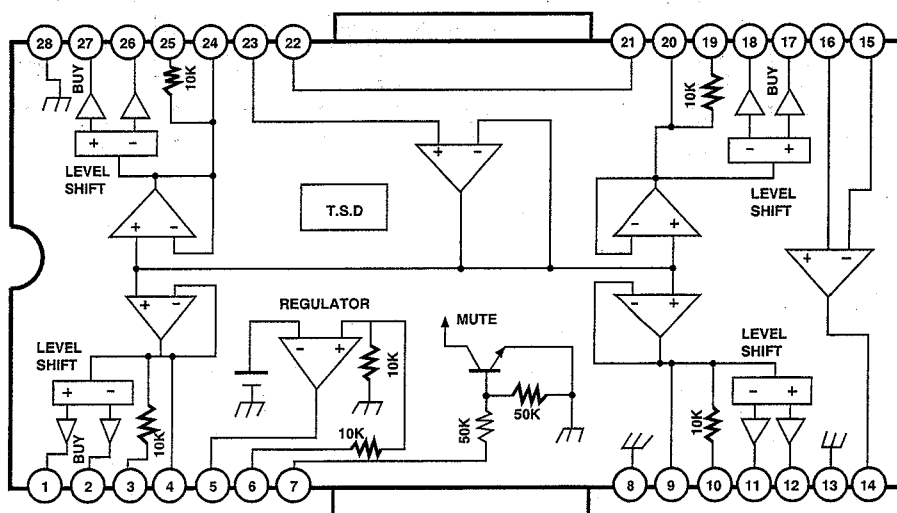
No.	SYMBOL	I/O	DESCRIPTION
1	FEO	O	Focus error amplifier output. Connected internally to the window comparator input for bias adjustment.
2	FEI	I	Focus error input.
3	FDFCT	I	Capacitor connection pin for defect time constant.
4	FGD	I	Ground this pin through a capacitor for cutting the focus servo high-frequency gain.
5	FLB	I	External time constant setting pin for boosting the focus servo low-frequency.
6	FE- O	O	Focus drive output.
13	TA- O	O	Tracking drive output.
16	SL- O	O	Sled drive output.
7	FE-M	I	Focus amplifier inverted input.
8	SRCH	I	External time constant setting pin for generating focus search waveform.
9	TGU	I	External time constant setting pin for switching tracking high-frequency gain.
10	TG2	I	External time constant setting pin for switching tracking high-frequency gain.
11	FSET	I	Peak frequency setting pin for focus and tracking phase compensation amplifier.
12	TA-M	I	Tracking amplifier inverted input.
14	SL-P	I	Sled amplifier non-inverted input.
15	SL-M	I	Sled amplifier inverted input.
17	ISET	I	Connect an external capacitance to set the current which determines the Focus search, Track jump, and Sled kick heights.
18	Vcc	I	Positive power supply.
19	LOCK	I	The sled overrun prevention circuit operates when this pin is Low. (no pull-up resistance)
20	CLK	I	Serial data transfer clock input from CPU. (no pull-up resistance)
22	DATA	I	Serial data input from CPU. (no pull-up resistance)
21	XLT	I	Latch input from CPU. (no pull-up resistance)
23	XRST	I	Reset input ; resets at Low. (no pull-up resistance)
24	C. OUT	O	Track number count signal output.
25	SENS1	O	Outputs FZC, DFCT1, TZC, BALH, TGH, FOH, ATSC, and others according to the command from CPU.
26	SENS2	O	Outputs DFCT2, MIRR, BALL, TGL, FOL, and others according to the command from the CPU.
27	FOK	O	Focus OK comparator output.
28	CC2	I	Input for the defect bottom hold output with capacitance coupled.
29	CC1	O	Defect bottom hold output. Connected internally to the interruption comparator input.
30	CB	I	Connection pin for defect bottom hold capacitor.
31	CP	I	Connection pin for MIRR hold capacitor. MIRR comparator non-inverted input.
32	RF- I	I	Input for the RF summing amplifier output with capacitance coupled.
33	RF- O	O	RF summing amplifier output. Eyepattern check point.
34	RF- M	I	RF summing amplifier inverted input. The RF amplifier gain is determined by the resistance connected between this pin and RFO pin.
35	RFTC	I	External time constant setting pin during RF level control.
36	LD	O	APC amplifier output.
37	PD	I	APC amplifier input.
38	PD1	I	RE I-V amplifier inverted input.
39	PD2	I	Connect these pins to the photo diode A+C and B+D pins.
40	FE- BIAS	I	Bias adjustment of focus error amplifier. Leave this pin open for automatic adjustment.
41	F	I	F I-V and EI -V amplifier inverted input.
42	E	I	Connect these pins to photo diodes F and E.
43	EI	—	I-V amplifier E gain adjustment. (When not using automatic balance adjustment)
44	VEE	—	Negative power supply.
45	TEO	O	Tracking error amplifier output. E-F signal is output.
46	LPI	I	Comparator input for balance adjustment. (input from TEO through LPI)
47	TEI	I	Tracking error input.
50	TDFCT	I	Capacitor connection pin for defect time constant.
48	ATSC	I	Window comparator input for ATSC detection.
49	TZC	I	Tracking zero-cross comparator input.
51	VC	O	(Vcc+VEE)/2 direct voltage output.
52	FZC	I	Focus zero-cross comparator input.



KA9258D (Motor Driver)

No.	SYSTEM	I/O	DESCRIPTION
1	DO1.1	O	DRIVE OUTPUT
2	DO1.2	O	DRIVE OUTPUT
3	DI1.1	I	DRIVE INPUT
4	DI1.2	I	DRIVE INPUT
5	REG		REGULATOR
6	REO	O	REGULATOR OUTPUT
7	MUTE		MUTE
8	GND1		GROUND
9	DI2.1	I	DRIVE INPUT
10	DI2.2	I	DRIVE INPUT
11	DO2.1	O	DRIVE OUTPUT
12	DO2.2	O	DRIVE OUTPUT
13	GND2		GROUND
14	OPOUT	O	OPAMP OUTPUT
15	OPIN (-)	I	OPAMP INPUT(-)
16	OPIN (+)	I	OPAMP INPUT(+)
17	DO3.1	O	DRIVE OUTPUT
18	DO3.2	O	DRIVE OUTPUT
19	DI3.1	I	DRIVE INPUT
20	DI3.2	I	DRIVE INPUT
21	VCC1		SUPPLY VOLTAGE
22	VCC2		SUPPLY VOLTAGE
23	VREF		2.5V BIAS VOLTAGE
24	DI4.1	I	DRIVE INPUT
25	DI4.2	I	DRIVE INPUT
26	DO4.1	O	DRIVE OUTPUT
27	DO4.2	O	DRIVE OUTPUT
28	GND 3		GROUND

BLOCK DIAGRAM



MECHA SENSOR

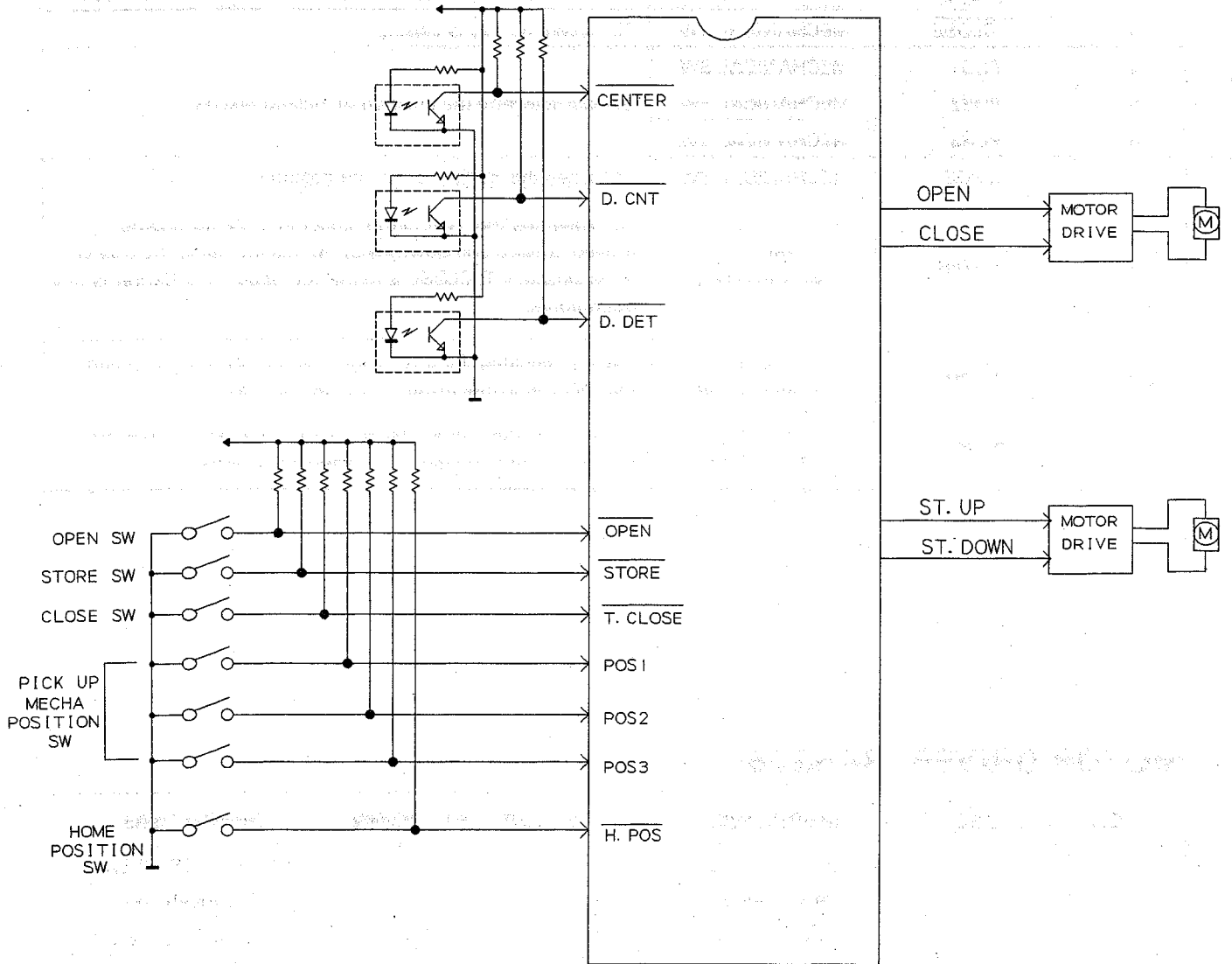
No.	SENSOR NAME	KIND	DESCRIPTION
1	$\overline{\text{OPEN}}$	MECHANICAL SW	"L" when the tray has opened.
2	$\overline{\text{STORE}}$	MECHANICAL SW	"L" when the tray is closed and the carriage is in the stocker.
3	$\overline{\text{T. CLOSE}}$	MECHANICAL SW	"L" when the tray is closed.
4	POS1	MECHANICAL SW	Sensor detecting the position of Pick-up Mecha.
5	POS2	MECHANICAL SW	
6	POS3	MECHANICAL SW	
7	$\overline{\text{H. POS}}$	MECHANICAL SW	"L" when the stocker is inhome position.
8	$\overline{\text{CENTER}}$	PHOTO INTERRUPTER	"L" when the tray is in Center position. (Pick-up can be moved upward and downward). At this moment, the tray is to be closed. If T. CLOSE is in the condition of H, Center is not operational.
9	$\overline{\text{D. CNT}}$	PHOTO INTERRUPTER	Sensor detecting the disc position of the stocker "L" when the carriage enters inward from the outside.
10	$\overline{\text{D. DET}}$	PHOTO REFLECTOR	Sensor detecting the existence of disc detectable when the tray is in Center Position. "L" when a disc exits.

MOTOR DRIVER (BA6208)

OPEN	CLOSE	OPERATING
H	H	MOTOR STOP (BREAK)
H	L	TRAY OPEN
L	H	TRAY CLOSE
L	L	MOTOR STOP

ST. UP	ST. DOWN	OPERATING
H	H	MOTOR STOP (BREAK)
H	L	STORKER UP
L	H	STORKER DOWN
L	L	MOTOR STOP

MICRO CONTROLLER



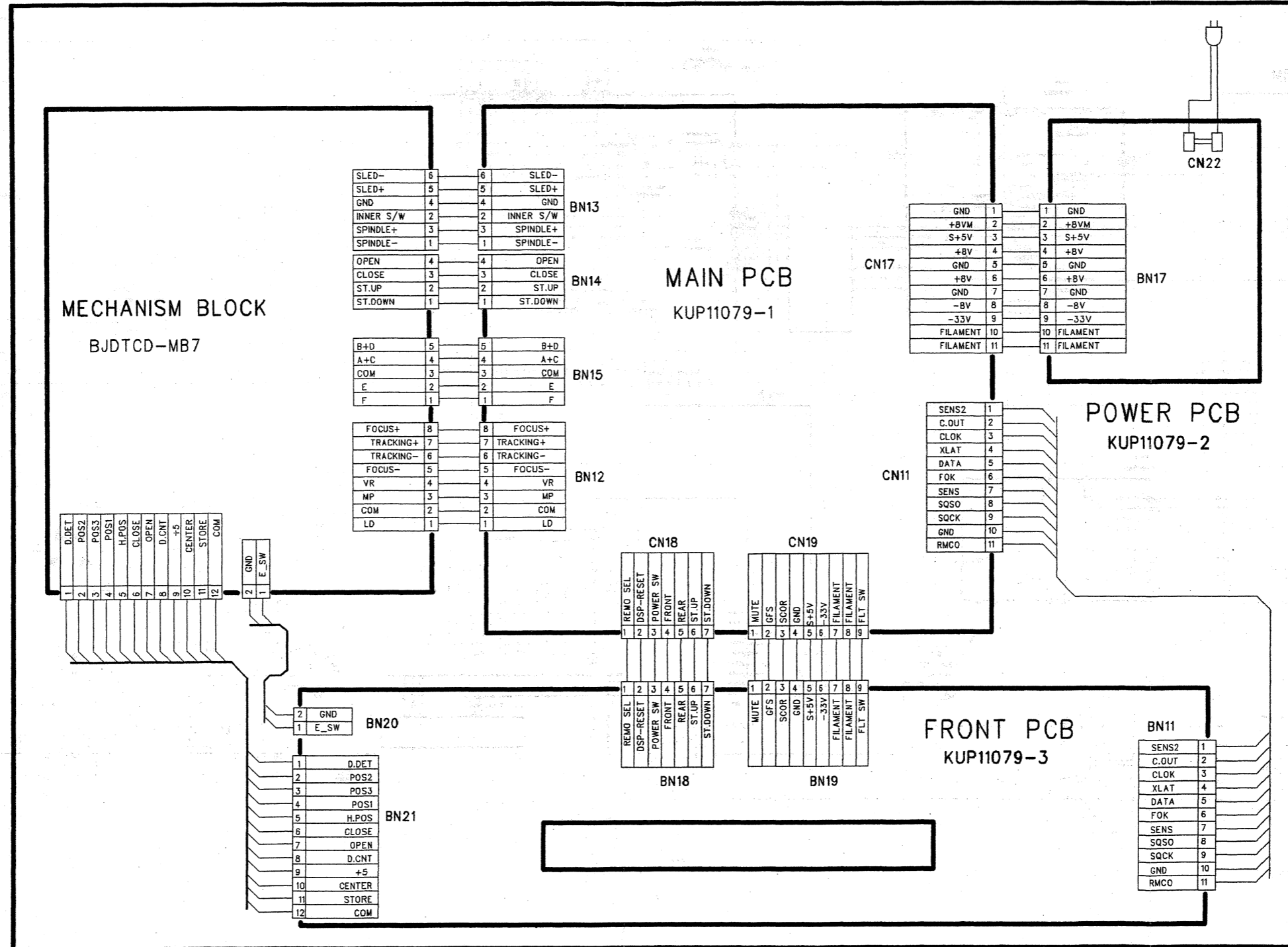
IC BVIANAM1233C (μ -COM, TMP87PM78F)

NO.	NAME	I/O	DESCRIPTION
1	VDD	-	+5V POWER SUPPLY PIN
2	FRONT	O	MECHANISM OPEN CONTROL PIN
3	REAR	O	MECHANISM COLSE CONTROL PIN
4	ST. UP	O	MECHANISM DISC CHANGE CONTROL PIN
5	ST. DOWN	O	MECHANISM DISC CHANGE CONTROL PIN
6	POWER	O	SYSTEM POWER ON/OFF PIN
7	REMOTE SELEC.	I	REMOTE SELECTOR SWITCH CHEAK PIN
8	TEST	I	OPTION (HIGH-AKAI)
9	NC	-	
10	SQCK	O	SUBCODE-Q DATA CLOCK PIN
11	SQSO	I	SUBCODE-Q DATA SERIAL PIN
12	NC	-	
13	SCOR	I	SUBCODE SYNC SIGNAL (S0+S1) PIN
14	POS 1	I	POSITION 1 INPUT
15	POS 2	I	POSITION 2 INPUT
16	POS 3	I	POSITION 3 INPUT
17	D. DET	I	DISC DETECTOR INPUT
18	H. POS	I	HOME POSITION INPUT
19	T. CLOSE	I	CLOSE SWITCH INPUT
20	OPEN SW	I	OPEN SWITCH INPUT
21	D. CNT	I	DISC COUNT INPUT
22	VSS	-	GND
23	VASS	-	ANALOG GND
24	VRFF	-	+5V POWER SUPPLY PIN
25	VDD	-	+5V POWER SUPPLY PIN
26	DISC CHEAK	I	DISC CHEAK ERROR CONTROL PIN
27	NC	-	
28	STORE	I	STORE SWITCH INPUT
29	CENTER	I	CENTER SENSOR INPUT
30	VSS	-	GND
31	XIN	I	SYSTEM COLCK OSCILLATION CRYSTAL INTERFACE PIN
32	XOUT	O	SYSTEM COLCK OSCILLATION CRYSTAL INTERFACE PIN
33	RESET INPUT	I	SYSTEM RESET PIN
34	REMOTE IN	I	REMOCON DATA INPUT PIN
35	BUS IN	I	REMOCON DATA INPUT PIN
36	BUS OUT	O	REMOCON DATA OUTPUT PIN
37	SENS2	I	SSP STATUS INPUT PIN
38	SENS	I	DSP STATUS INPUT PIN
39	COUT	I	TRACK COUNT INPUT PIN
40	MUTE	O	AUDIO MUTE PIN
41	CLOCK	O	CLOCK PIN
42	XLAT	O	LATCH PIN
43	DATA	I	DATA OUTPUT PIN
44	F. OK	I	FOCOS OK INPUT PIN

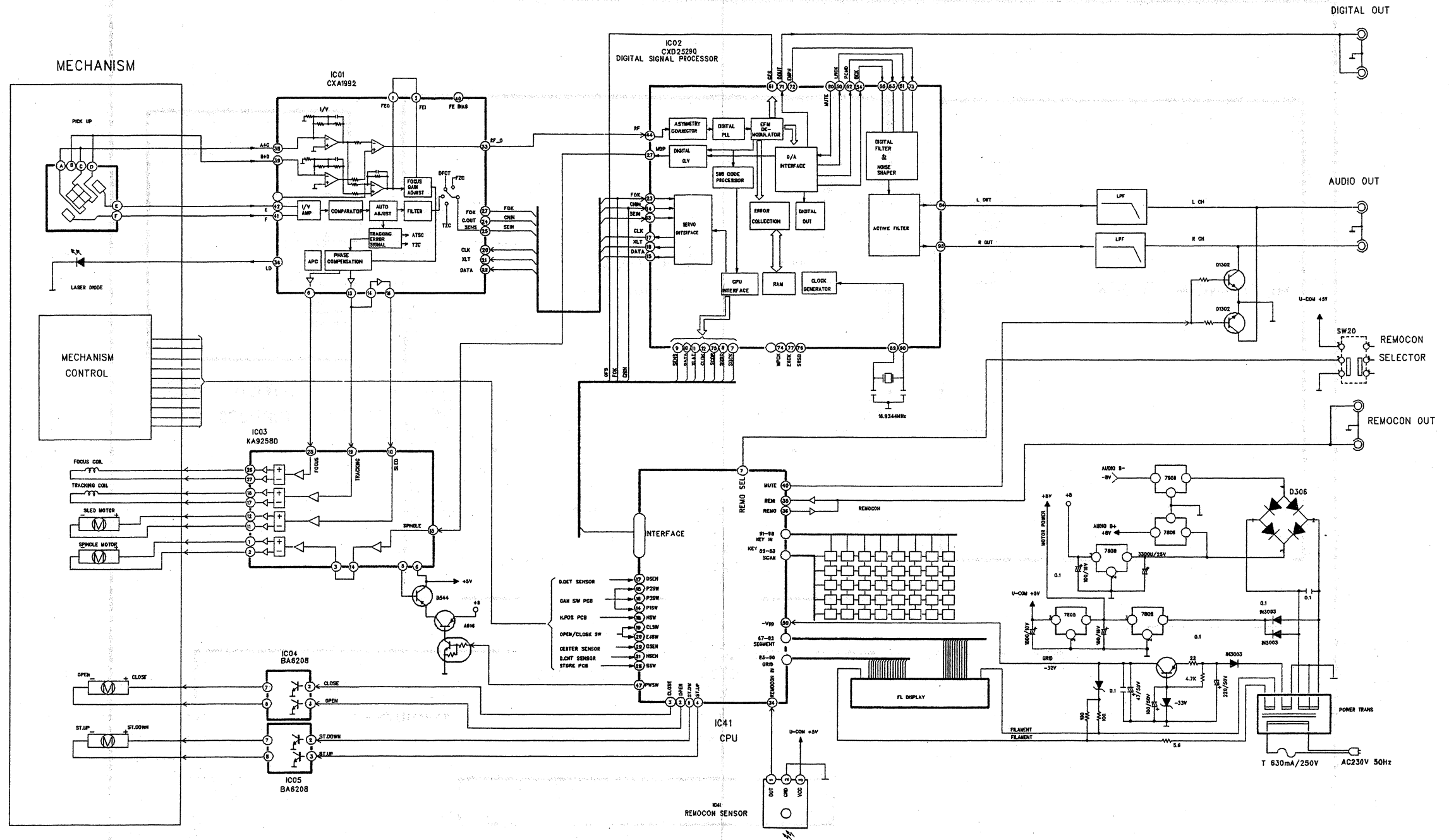
NO.	NAME	I/O	DESCRIPTION
45	GFS	I	FRAME SYNC STAUTS PIN
46	DSP RESET	O	SYSTEM RESET FROM DSP PIN
47	POWER S.W	O	F.I.P FILAMENT POWER ON/OFF PIN
48	JOG A	O	SKIP DIAL CONTROL PIN
49	JOG B	O	SKIP DIAL CONTROL PIN
50	-30V	-	FIP VOLTAGE SUPPLY PIN
51	STANDBY LED	O	STANDBY LED ON/OFF PIN
52~58	NC	-	
59	KS_5	O	KEY SCAN OUTPUT PIN
60	KS_4	O	KEY SCAN OUTPUT PIN
61	KS_3	O	KEY SCAN OUTPUT PIN
62	KS_2	O	KEY SCAN OUTPUT PIN
63	KS_1	O	KEY SCAN OUTPUT PIN
64~66	NC	-	
67	P1	O	FIP SEGMENT SIGNAL OUTPUT PIN
68	P2	O	FIP SEGMENT SIGNAL OUTPUT PIN
69	P3	O	FIP SEGMENT SIGNAL OUTPUT PIN
70	P4	O	FIP SEGMENT SIGNAL OUTPUT PIN
71	P5	O	FIP SEGMENT SIGNAL OUTPUT PIN
72	P6	O	FIP SEGMENT SIGNAL OUTPUT PIN
73	P7	O	FIP SEGMENT SIGNAL OUTPUT PIN
74	P8	O	FIP SEGMENT SIGNAL OUTPUT PIN
75	P9	O	FIP SEGMENT SIGNAL OUTPUT PIN
76	P10	O	FIP SEGMENT SIGNAL OUTPUT PIN
77	P11	O	FIP SEGMENT SIGNAL OUTPUT PIN
78	P12	O	FIP SEGMENT SIGNAL OUTPUT PIN
79	P13	O	FIP SEGMENT SIGNAL OUTPUT PIN
80	P14	O	FIP SEGMENT SIGNAL OUTPUT PIN
81	P15	O	FIP SEGMENT SIGNAL OUTPUT PIN
82	P16	O	FIP SEGMENT SIGNAL OUTPUT PIN
83	G1	O	FIP TIMING SIGNAL OUTPUT PIN
84	G2	O	FIP TIMING SIGNAL OUTPUT PIN
85	G3	O	FIP TIMING SIGNAL OUTPUT PIN
86	G4	O	FIP TIMING SIGNAL OUTPUT PIN
87	G5	O	FIP TIMING SIGNAL OUTPUT PIN
88	G6	O	FIP TIMING SIGNAL OUTPUT PIN
89	G7	O	FIP TIMING SIGNAL OUTPUT PIN
90	G8	O	FIP TIMING SIGNAL OUTPUT PIN
91~93	NC	-	
94	KI_5	I	KEY SCAN INPUT PIN
95	KI_4	I	KEY SCAN INPUT PIN
96	KI_3	I	KEY SCAN INPUT PIN
97	KI_2	I	KEY SCAN INPUT PIN
98	KI_1	I	KEY SCAN INPUT PIN
99	P17	O	KEY SCAN OUTPUT PIN
100	NC	-	

WIRING DIAGRAM

WIRING DIAGRAM

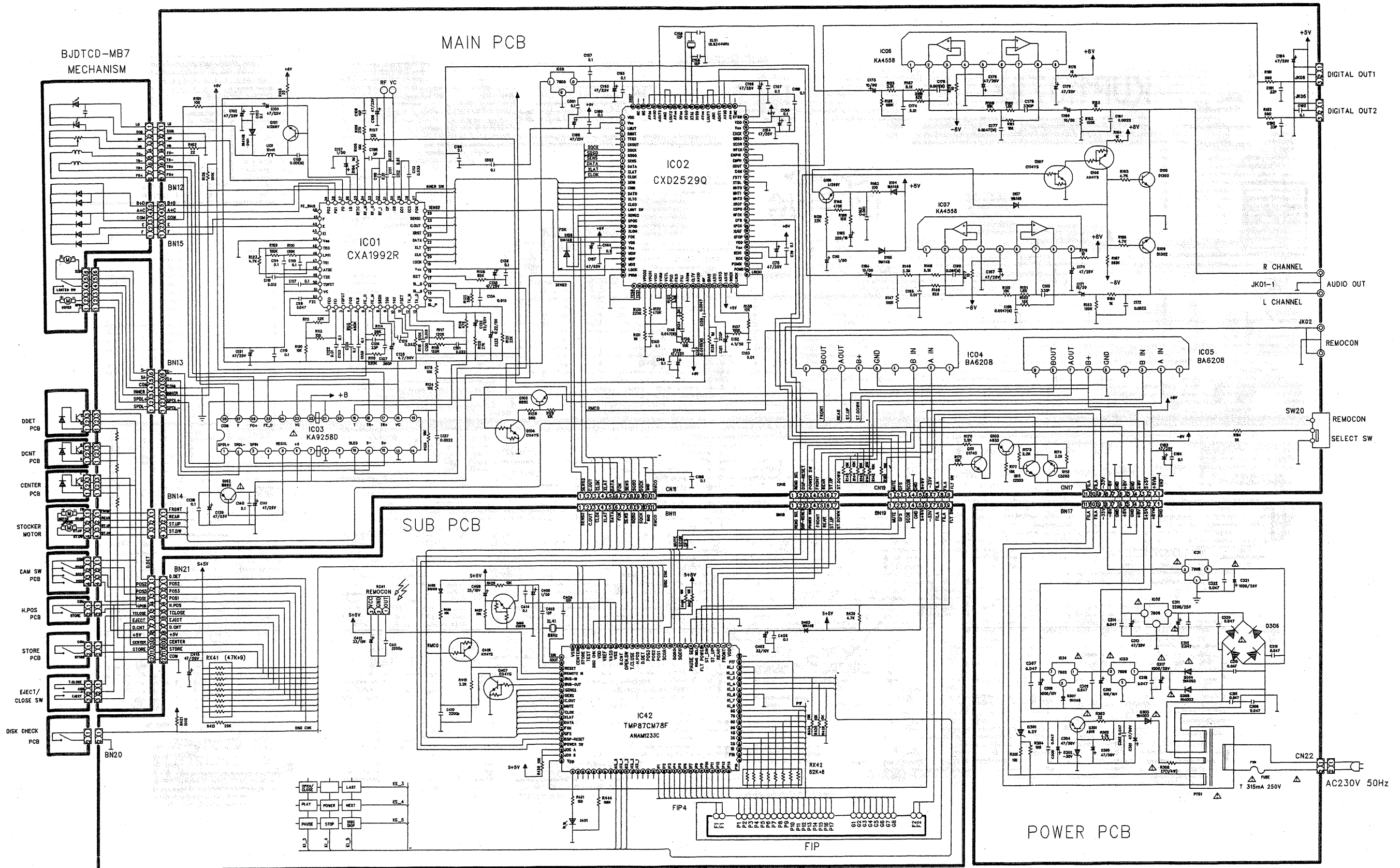


BLOCK DIAGRAM



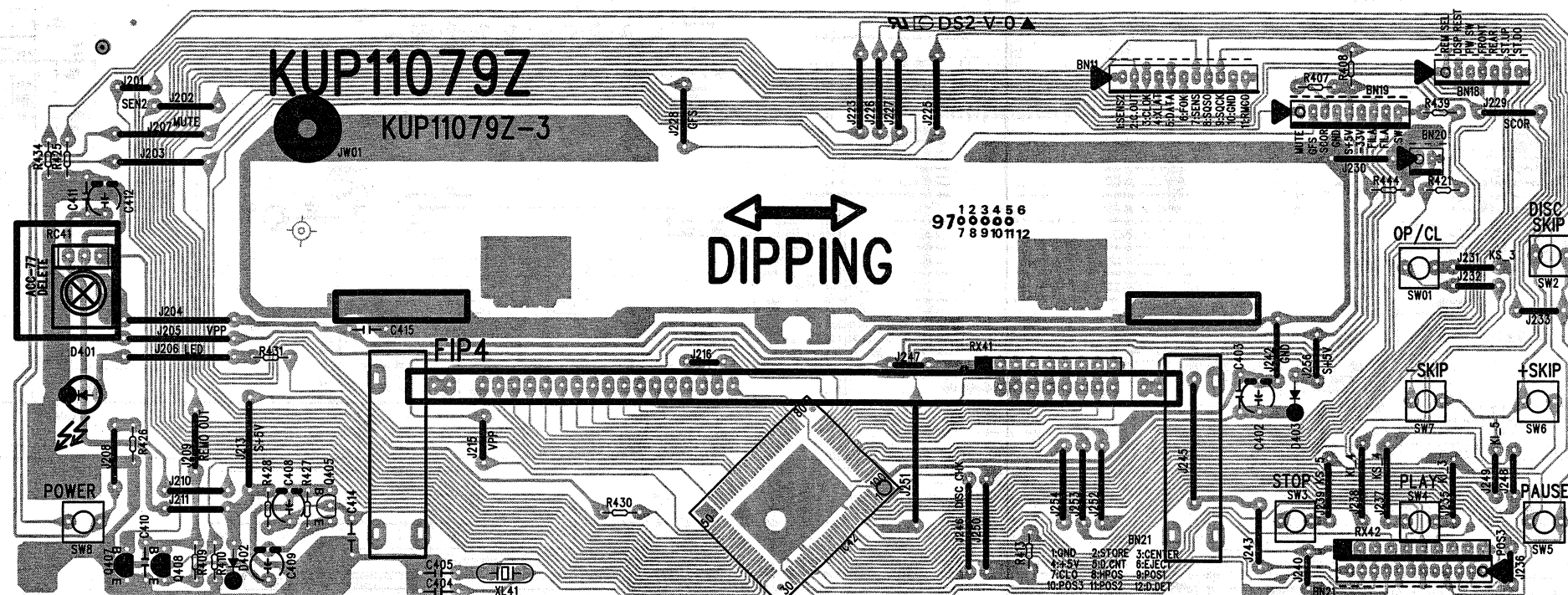
SCHEMATIC DIAGRAM

20 PAGE MICRO CBT 4/77



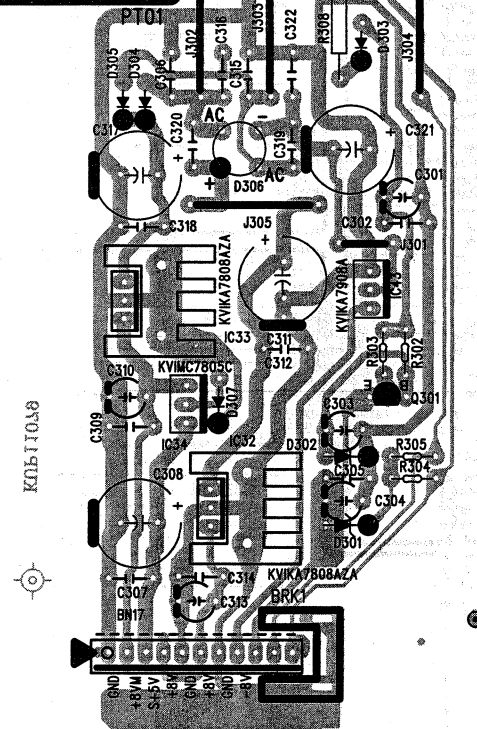
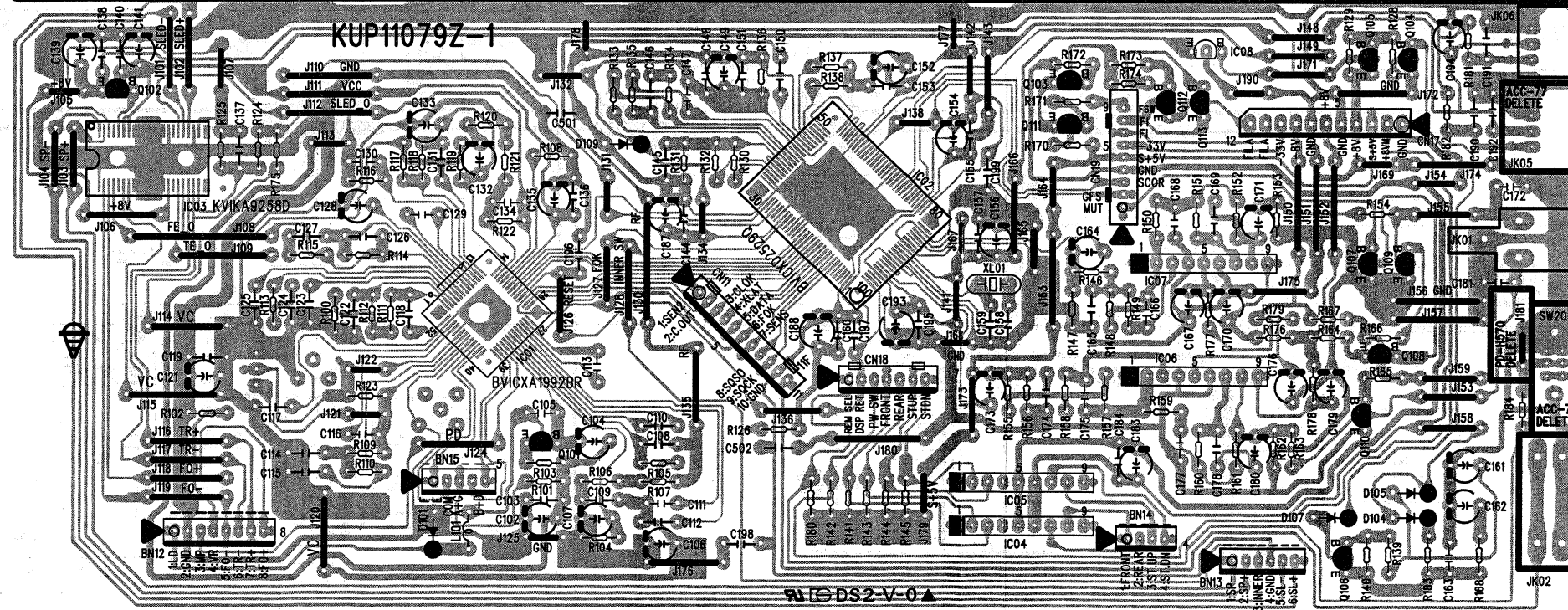
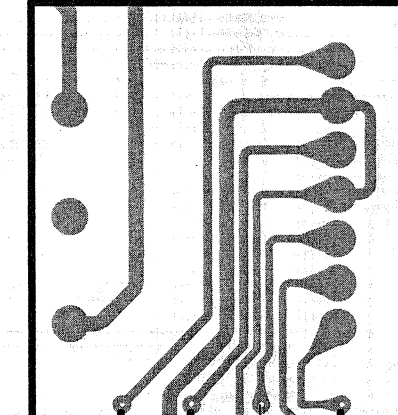
97.11.03 MODIFY

PRINTED CIRCUIT BOARDS



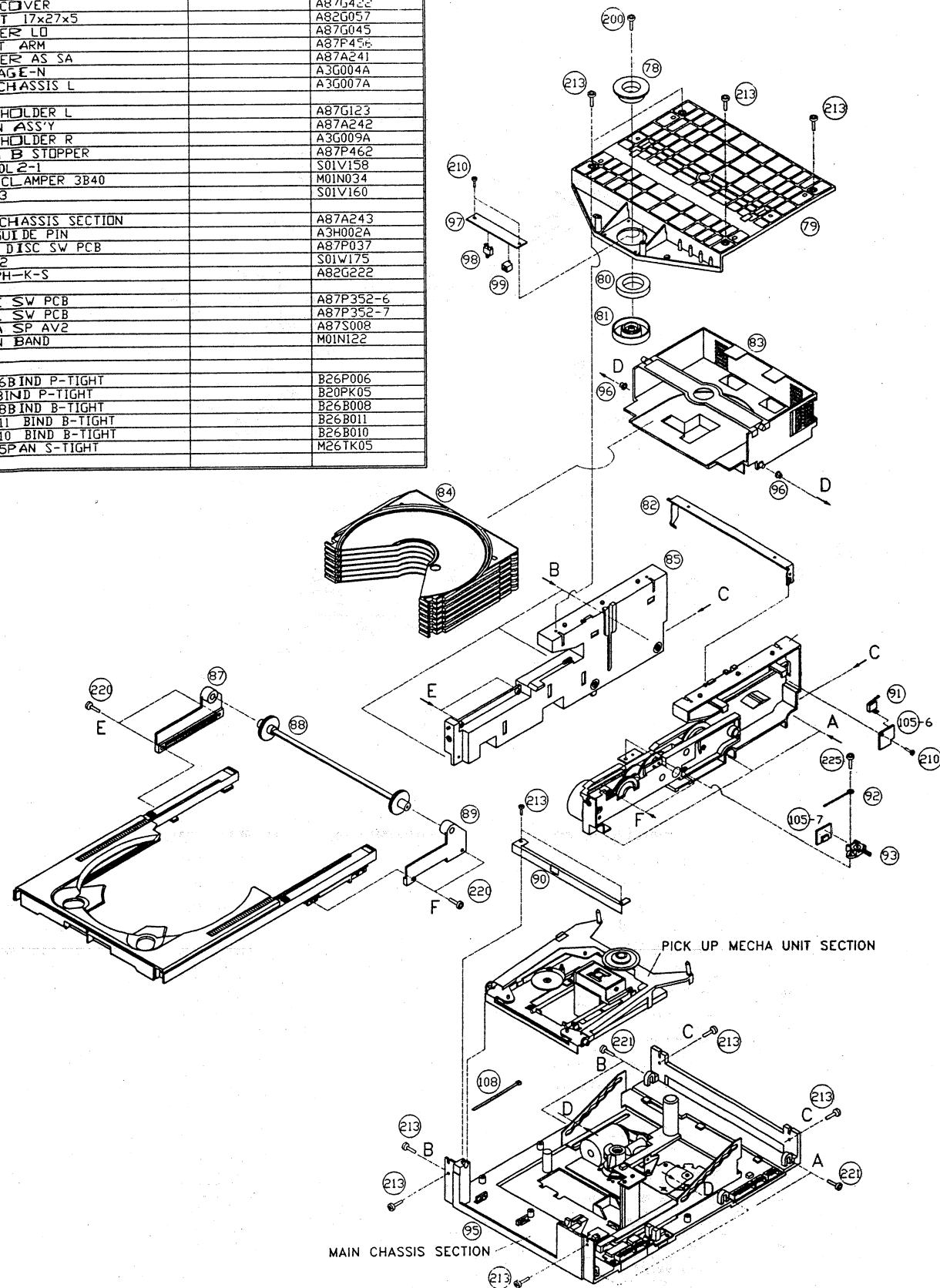
MODEL	H570UR	H570UK	H570UM	H570US
VOLTAGE	230V	230V	100V	120V
T315mA 250V	0	0	X	X
T630mA 250V	X	X	0	0

F101
T 315mA L 250V
CN22
KUP11079Z-2
MIC DS2-V-0



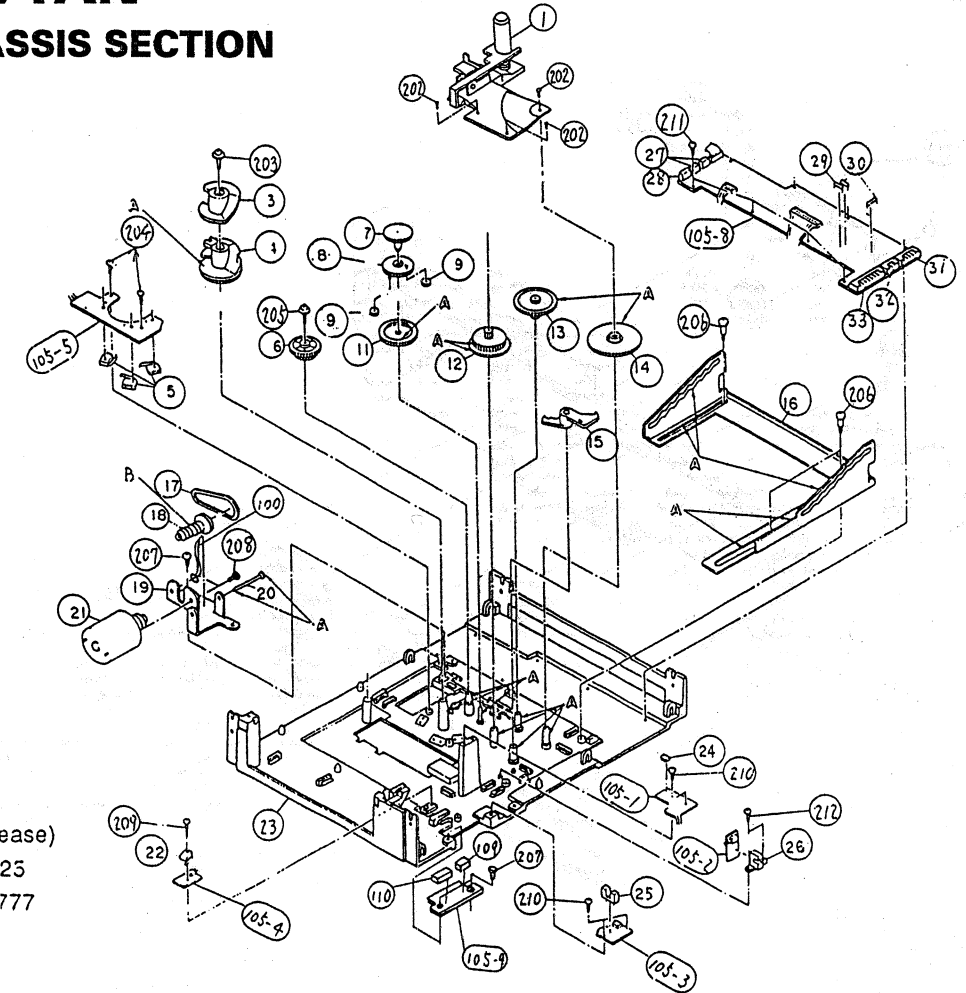
MECHANISM ASS'Y

NO	PARTS NAME	DPAWING NO.	PARTS CODE
78	CLAMPER HI		A87G046
79	TOP COVER		A87G422
80	MAGNET 17x27x5		A82G057
81	CLAMPER LO		A87G045
82	ASSIST ARM		A87P456
83	STOCKER AS SA		A87A241
84	CARRIAGE-N		A3G004A
85	SIDE CHASSIS L		A3G007A
87	TRAY HOLDER L		A87G123
88	PINION ASS'Y		A87A242
89	TRAY HOLDER R		A3G009A
90	MECHA B STOPPER		A87P462
91	MSS-10L 2-1		S01V158
92	CORD CLAMPER 3B40		M01N034
93	SSS-13		S01V160
95	MAIN CHASSIS SECTION		A87A243
96	STC GUIDE PIN		A3H002A
97	OVER DISC SW PCB		A87P037
98	SW-112		S01W175
99	S2B-PH-K-S		A82G222
105-6	STORE SW PCB		A87P352-6
105-7	OP/CL SW PCB		A87P352-7
107	MECHA SP AV2		A87S008
108	NYLON BAND		M01N122
200	M2.6x6 BIND P-TIGHT		B26P006
210	M2x5 BIND P-TIGHT		B20PK05
213	M2.6x8 BIND B-TIGHT		B26B008
220	M2.6x11 BIND B-TIGHT		B26B011
221	M2.6x10 BIND B-TIGHT		B26B010
225	M2.6x5 PAN S-TIGHT		M26TK05



TCD-MB7TAN

1. MAIN CHASSIS SECTION

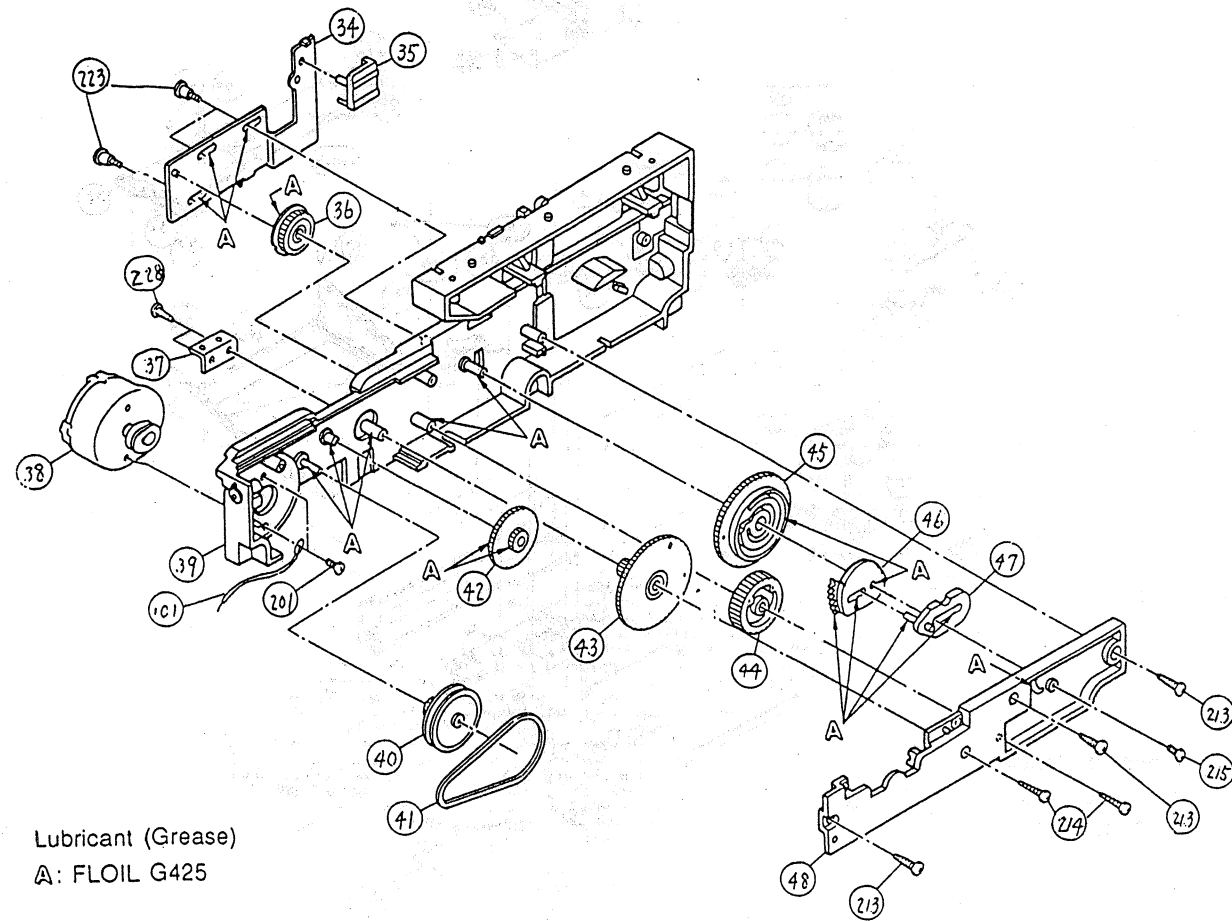


Lubricant (Grease)
 A: FLOIL G425
 B: FLOIL FL777

No.	PARTS NAME	DRAWING NO.	PARTS CODE
1	DISC LOCK ARM AS		A3A117A
2			
3	ME UD CAM TOP-N		A87G421
4	MECHA UD CAM-K		A87G427
5	MSS-10R2-16		S01W159
6	ID-ST-GEAR		A87G033
7	D1-ST-GEAR		A3G141A
8	D2-ST-GEAR		A3G142A
9	D3-ST-GEAR		A3G143A
11	D5-ST-GEAR		A87G040
12	LOCK IDLER		A87G041
13	D7M-ST-GEAR		A87G035
14	D6P-ST-GEAR		A87G394
15	CHANGE ARM		A87G420
16	STOCKER CAM		A3P001A
17	BELT T-C		A87G014
18	ST-WORM-GEAR		A87G032
19	MOTOR BRACKET		A87P001
20	WORM SHAFT		A87H062
21	STOCKER MOTOR AS		A87A228
22	MSS-10R2-17		S01Y163
23	MAIN CHASSIS AS		A3A001A
24	GP2S40		E01L546

No.	PARTS NAME	DRAWING NO.	PARTS CODE
25	GP1S52V		E01L548
26	GS1S51V		E01L547
27	B2B-PH-K-S		A81G605
28	B3B-PH-K-S		A81G372
29	CR270-6		C01R270
30	CR330-6		C01R330
31	S6B-PH-K-S		A81G028
32	S4B-PH-K-S		A82G223
33	S12B-PH-K-S		A82G237
100	WIRE WITH LUG B		A87G261
105	MAIN PCB N		A3P005A
105-1	GP2S40 PCB		
105-2	GP1S51V PCB		
105-3	GP1S52V PCB		
105-4	HOPS PCB		
105-5	CAM PCB		
105-6	STORE SW PCB		
105-7	OP/CL SW PCB		
105-8	MAIN PCB		
105-9	PV PCB		
109	S5B-PH-K-S		A82G253
110	S8B-PH-K-S		A81G030

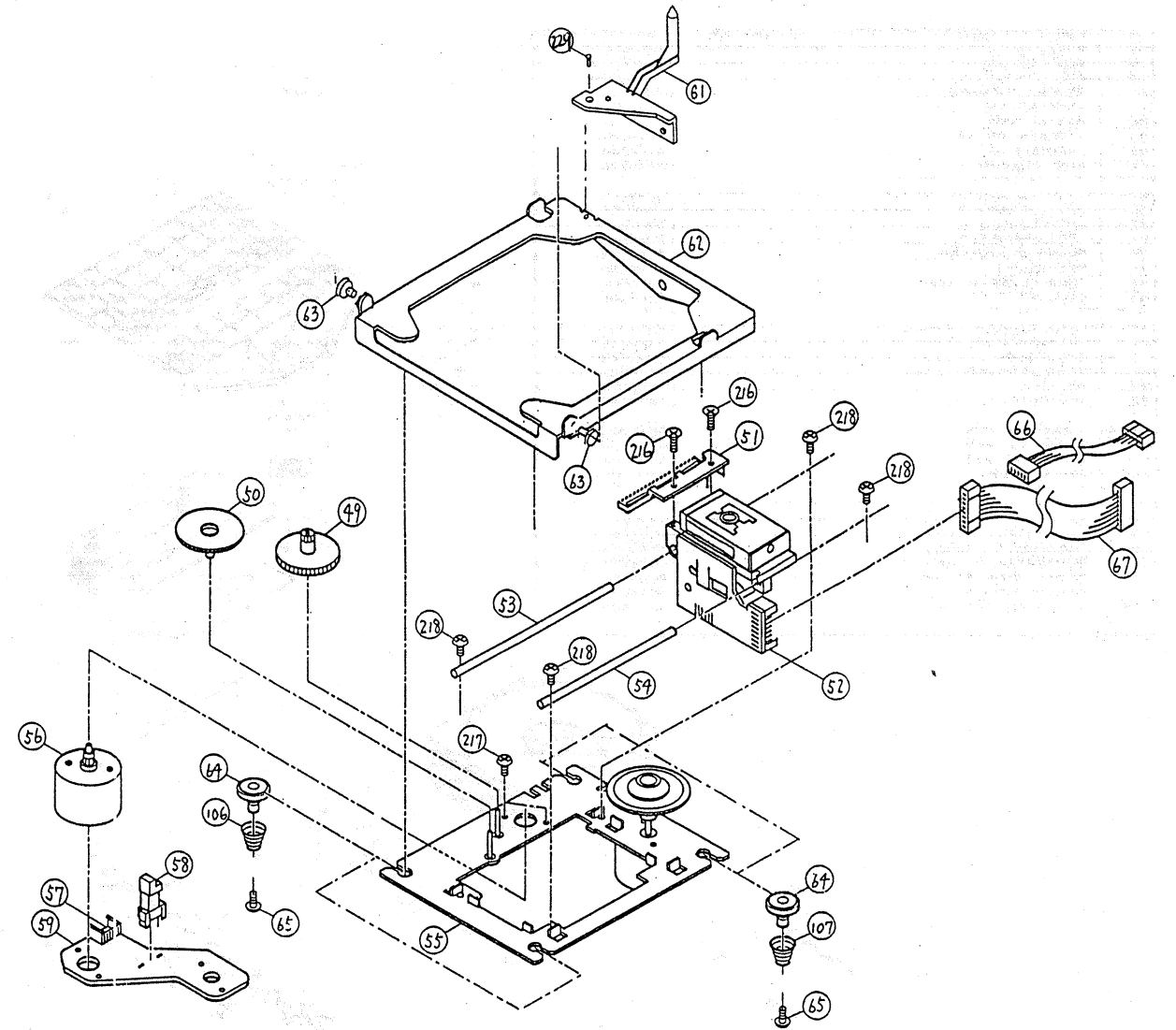
2. SIDE CHASSIS R SECTION



Lubricant (Grease)
A: FLOIL G425

No.	PARTS NAME	DRAWING NO.	PARTS CODE
34	CHANGE PLATE AS		A871062
35	CARRIAGE OPENNER		A3G078A
36	CHANGE GEAR		A87G023
37	SW-BRACKET		A87P010
38	LOADING MOTOR AS		A87A227
39	SIDE CHASSIS R AS		A3A002A
40	S-P-GEAR		A87G010
41	BELT C-S		A87G015
42	SIDE IDLER		A87G020
43	S-F-GEAR		A3G136A
44	S-I-GEAR		A87G009
45	S-M-GEAR		A87G007
46	TRAY STOPPER		A87A298
47	TRACE ARM N AS		A87A238
48	GEAR HOLDER		A87G423
101	WIRE WITH LUG		A87G257

3. PICK UP MECHA UNIT SECTION

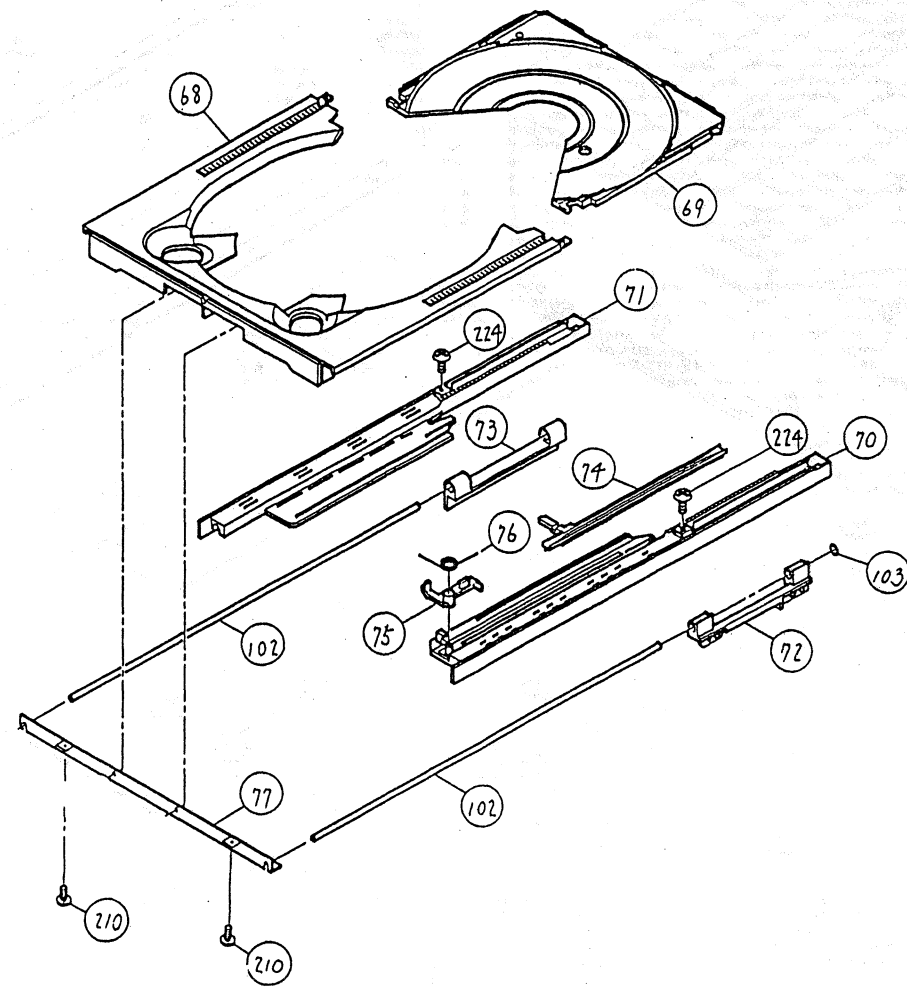


No.	PARTS NAME	DRAWING NO.	PARTS CODE
49	GEAR MIDDLE		A90G038
50	GEAR POWER		A90G040
51	PLATE RACK		A3G096A
52	PICK UP SF91PO		A90G110
53	GUIDE BAR B		A3H018A
54	GUIDE BAR A		A3H019A
55	DISC MOTOR AS		A3A113A
56	FEED MOTOR AS		A3A114A
57	S6B-PH-K-S		A81G028
58	LEAF SW BSW -333A		S01W128
59	MOTOR PCB 90VI-M		A90P073
61	MECHA BASE PIN		A3G139A
62	SUS CHASSIS AS		A3A118A
63	ST2-4-4 WG		A3H052A
64	MECHA SUS AW B		A3G175A
65	M2-3-9 AW		A3H001A
66	CNW-W5P		A87G359
67	CNW-W8P		A87G358
106	MECHA SP R		A3S010A
107	MECHA SP F		A3S009A

(1EA2511A06300)
(1EA2511A06500)
(1EA2731A01400)
(14926435)
(1EA2362A00400)
(14127519890000)

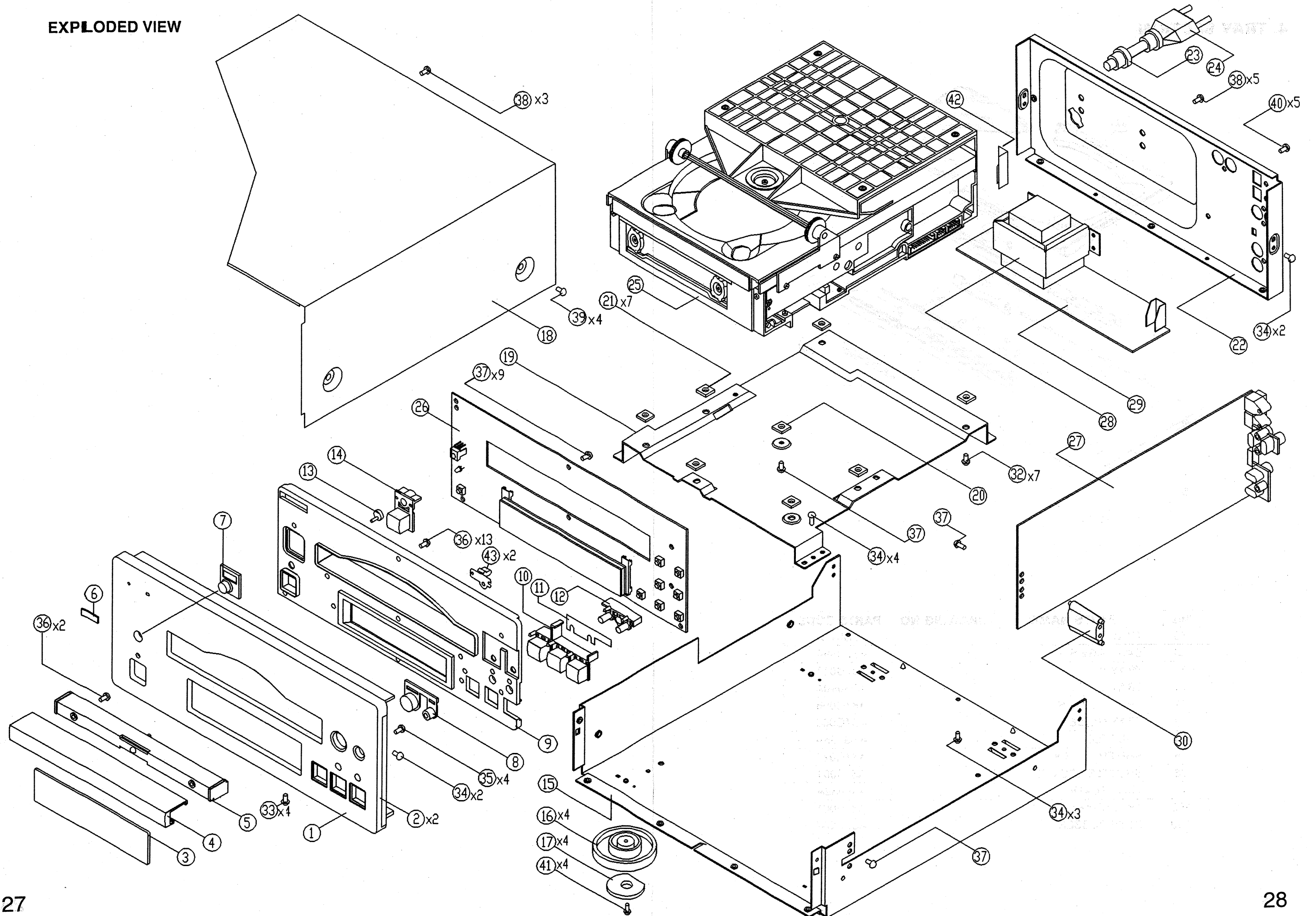
(1EA4S13A00800)
(1EA4B10A53501)

4. TRAY SECTION



No.	PARTS NAME	DRAWING NO.	PARTS CODE
68	TRAY TOP		A3G015A
69	CARRIAGE S		A3G086A
70	TRAY R		A87G017
71	TRAY L		A3G090A
72	TRAY GUIDE R		A87G006
73	TRAY GUIDE L		A87G008
74	SHUTTLE		A3G135A
75	SHUTTLE LOCK		A87G021
76	SHUTTLE LOCK SP		A87S001
77	TRAY PLATE		A3P032A
102	TR-G-SHAFT-N		A87H061
103	STOP RUBBER		A87G207

EXPLODED VIEW



EXPLODED VIEW PARTS LIST

Ref. No.	Part No.	Description	Remarks
1	9A06882000	AL PANEL	
2	9A06677600	SIDE BAR	
3	9A06240500	FIP WINDOW	
4	9A06881400	ORNAMENT, DOOR	
5	9A06881100	BASE, DOOR	
6	9A06224200	BADGE, TEAC	
7	9A06227600	SENSOR, WINDOW	
8	9A06880900	KNOB, TACT	
9	9A06881300	PANEL, MOLD	
10	9A06227600	SENSOR, WINDOW	
11	9A06880900	KNOB, TACT	
12	9A06239700	KNOB, TACT	
13	9A06227400	INDICATOR, POWER	
14	9A06314500	KNOB, POWER	
15	9A06883000	BOTTOM CHASSIS	
16	9A06315500	FOOT	
17	9A06229300	CUSHION, FOOT	
18	9A06881800	CABINET, TOP	
19	9A06883100	PLATE, BOTTOM	
21	9A06229400	RUBBER, MECHA	
22	9A06881900	PANEL, REAR	
23	9A01376900	BUSHING, AC CORD HEYCO(SR	
25	9A05277900	MECHANISM ASS'Y	
26	9A06883300	PCB, FRONT	
27	9A06882400	MAIN PCB	
28	9A06882400	POWER PCB	
29	9A06830600	TRANS, POWER	
30	9A05989700	SUPPORT, PCB	
32	9A06881500	SCREW, SPECIAL	
33	9A01397400	SCREW, KTS3+8J	
34	9A01532600	SCREW KTB3+6J	
35	9A06229000	SCREW, SPECIAL	
36	9A06316300	SCREW, KTB3+6F	
37	9A01377400	SCREW, KTB3+10G	
38	9A01377200	SCREW, KTB3+8JFZ	
39	9A05984300	SCREW, KTB4+6FFZ	
40	9A01377300	SCREW, KTB3+10GFZ	
41	9A05339200	SCREW, KTW3+8J	
42	9A06882300	BRACKET, MECHA	
43	9A06882100	EARTH, PLATE	

ELECTRICAL PARTS LIST

Ref. No.	Part No.	Description	Ref. No.	Part No.	Description
D101, D104	9A01390500	DIODE, 1N4148MT	Q104	9A05196500	TR, DTC114YST
D105, D107	9A01390500	DIODE, 1N4148MT	Q105	9A05219100	TR, 2SB892T
D109	9A01390500	DIODE, 1N4148MT	Q106	9A05895900	TR, KTA1266YT
D301	9A06236200	DIODE, ZENER MTZJ6.2BT	Q107	9A05196500	TR, DTC114YST
D302	9A06317000	DIODE MTZJ30BT	Q108	9A05196400	TR, DTA114YST
D303, D304	9A05194600	DIODE, 1N4003SRT	Q109, Q110	9A05197500	TR, KTD1302T
D305	9A05194600	DIODE, 1N4003SRT	Q111	9A05939500	TR, 2SC1740SR
D306	9A05987000	DIODE, BRIDGE W02GF	Q112, Q113	9A05197400	TR, KTC3203YT
D307	9A01390500	DIODE, 1N4148MT	Q301	9A05196700	TR, KSA916-Y-SHTA
D401	9A05195000	LED, RED SLR342VCF02	Q405, Q407	9A05196500	TR, DTC114YST
D402, D403	9A01390500	DIODE, 1N4148MT	Q408	9A05196400	TR, DTA114YST
F101	9A06868100	FUSE 2C0315TLE			
FIP4	9A06238900	F.I.P FIP8DRM7	R308	9A06317800	RES, FUSE
			RC41	9A06882900	SENSOR, REMOCON
IC01	9A06867800	IC, SSP CXA1992BR	SW01-SW08	9A04882500	SW, TACT SKHV10910A
IC02	9A06867900	IC, DSP CXD2529Q	SW20	9A06675300	SWITCH SLIDE
IC03	9A05218500	IC, KA9258D	XL01	9A05193100	CRYSTAL, 16934A120C
IC04, IC05	9A05880700	IC, BA6208 MC-D200	XL41	9A05193000	CRYSTAL, 08000E160C
IC06, IC07	9A05195800	IC, MC4558S			
IC08	9A06883400	IC, KA78L05AZTA			
IC32, IC33	9A06244800	IC ASS'Y			
IC34	9A05341500	IC, KA7805-ABTU			
IC42	9A06816800	IC, (U-COM) TMP87CM78F-6662			
IC43	9A06883500	IC, KA7908-ABTU			
JK01	9A06869700	JACK, BOARD			
JK02	9A06242200	JACK, BOARD			
JK05, JK06	9A06239100	MODULE, OPTICAL			
L101	9A05356900	COIL, AXAIL 10UH, K			
PT01	9A06830600	TRANS, POWER			
Q101	9A05895900	TR, KTA1266YT			
Q102	9A05219100	TR, 2SB892T			
Q103	9A05911600	TR, 2SA933SR			